

AP13

Voltage to current converter

Fiche 0.1

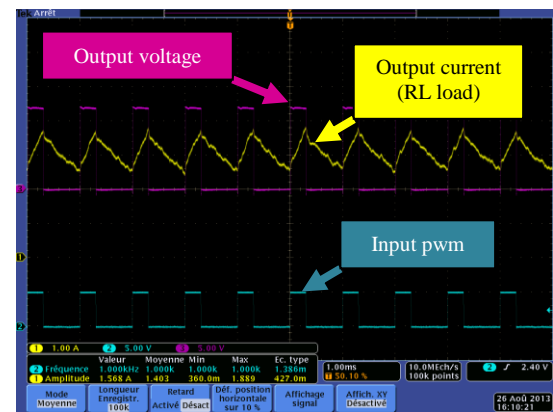
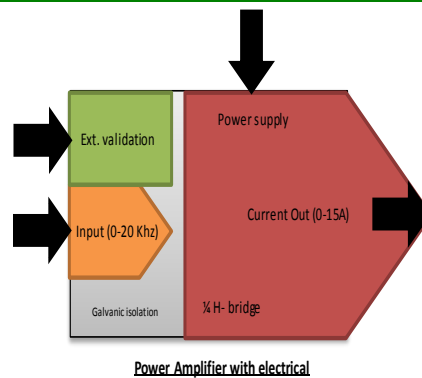


Technical features

- Current range: from 4A to 15A.
- Max frequency: 20 KHz.
- Galvanic isolation.
- Rail-Din montage.
- External control switch validation.
- External validation input.
- Max peak current: 20A.
- Thermal protection.
- Internal fuse protection.

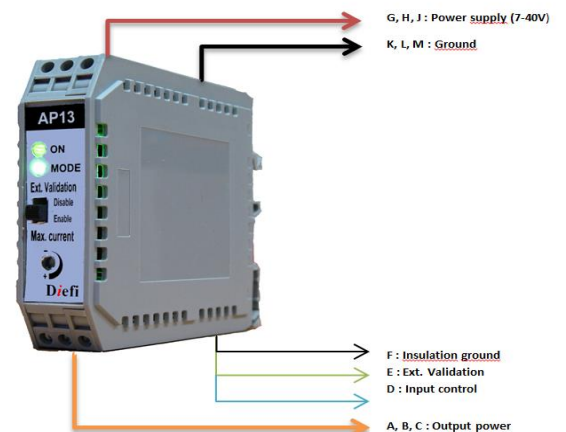
Description

The AP13 is a power amplifier. It allows you to monitor a load current up to 15 A, with a maximum frequency control input of 20 KHz. Its galvanic isolation, thermal protection will give full protection while driving power to resistive, inductive or capacitive systems. The Rail-Din mount allows easy install in your system.



Electrical characteristics

- **Power supply** : 7-27V DC, pinout : G, H, J
- **Ground** : pinout : K, L, M
- **Power output** : pinout : A,B, C
- **Input control** (TTL, CMOS, 0-20 kHz): pinout : D
- **External validation** (TTL, CMOS): pinout : E
- **Isolate ground** : pinout : F



Caractéristiques mécaniques

Taille : 100*22*75mm.
 Poids : 90gr.

